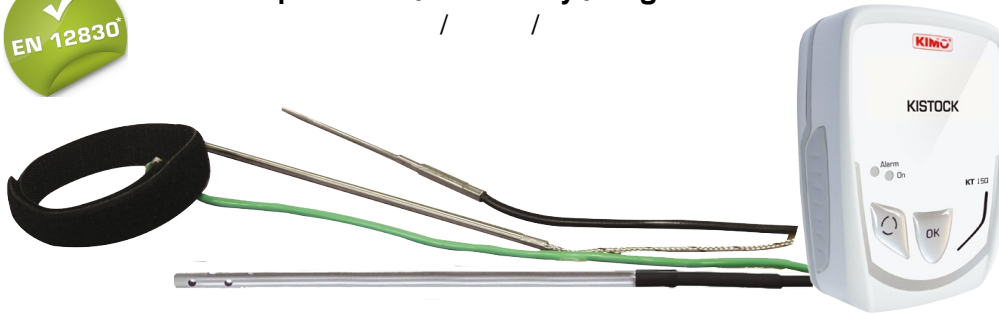


KISTOCK DATALOGGER
Food industry range : **KT250 / KH250**

Temperature / Humidity / Light
/ /



- : 20000
- 4
- : 5가
- 2 setpoint alarms
- 1000
-
- IP 65

KT-250-IN	yes	no	4	/
KT-250-IO	yes	2 lines	4	
KH-250-AN	yes	no	2	,
KH-250-AO	yes	2 lines	2	/

	KT250	KH250
	°C, °F, mV, V, mA, A	°C, °F, %RH, Lux ¹ , °Ctd, °Ftd
	0.1 °C, 0.1 °F, 0.001 V, 0.001 mA, 0.1 A	0.1 °C, 0.1 °F, 0.1%RH, 1 Lux*
	4 Jack connectors 2.5 Stereo	2 Jack connectors 2.5 Stereo
	:NTC : -40 ~ +70 -20 ~ +70 : ±0.4 -40 ~ -20 : ±0.8	: : 0 ~ 10000Lux : ±10%
Setpoint alarms	2 setpoint alarms	
	1 ~ 24	
	From -40 to +70 °C	From -20 to +70 °C
	From -40 to +85 °C	
	5	

98.7 x 67.8 x 34.7 mm

113 g

2 LDC (45 × 28.5mm)

2 : "select", "OK"

ABS housing

IP 65

PC

1 digital input for male Jack connector 3.5

Digital electronics

Lacquer protected circuit board

Meets RoHS standards

3.6V 1/2AA

2 (,)

Environment

Air and neutral gases

*
**only for KH-210-DO KISTOCK

KT250

	NTC
	- 40 ~ +120 ()
	Remove probe : ±0.3 °C (-40 °C<T<+70 °C) ±0.5 °C (beyond)

KH250

• - ()

	CMOS	
	From 5 to 95 %RH	From -20 to +70 °C
	Accuracy** (Repeatability, linearity, hysteresis) : ±2%RH (from 15°C to 25°C) Factory calibration . uncertainty : ±0,88 %RH Temperature dependence : ±0.04 x (T-20) %RH (if T<15°C or T>25°C)	From -20 to 0°C : 2% of displayed value ±0,6 °C From 0 to 30 °C : 0,5 °C From 30 to 70 °C : 1.5% of displayed value
Response time (t_{0,63})	50 s (Vair = 2 m/s)	25 s (V = 2 m/s)

*All accuracies indicated in this document were stated in laboratory conditions and can be guaranteed for measurements carried out in the same conditions, or carried out with calibration compensation.

**As per NFX 15-113 standard and the charter 2000/2001 Hygrometers, GAL (Guaranteed Accuracy Limit) which has been calculated with a coverage factor value of 2 is ±2,88%RH between 18 and 28°C on the measuring range from 5 to 95%RH. Sensor drift is less than 1%RH/year.

• ()

	NTC
	From -40 to +120 °C(remove probe)
	Remove probe : ±0.3 °C (-25 °C<T<+70 °C) ±0.5 °C (beyond)

KT250 and KH250

• CURRENT INPUT CABLE (OPTIONAL)

	0/4-20 mA
	±0.2 % of the measurement ±1 µA

VOLTAGE INPUT CABLE (OPTIONAL)

	0-10 V
	±0.2 % of the measurement ±1 mV

• AMMETER CLAMP (OPTIONAL)

	0-50 A / 0-100 A / 0-200 A / 0-600 A
	±1 to 2.5 % of the value displayed (according to measuring range)

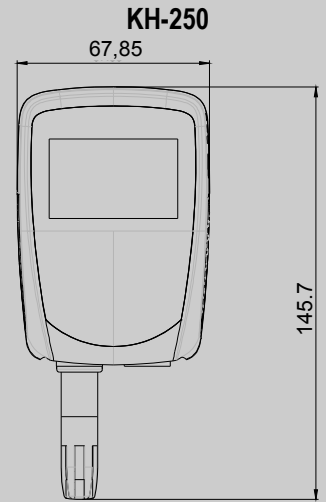
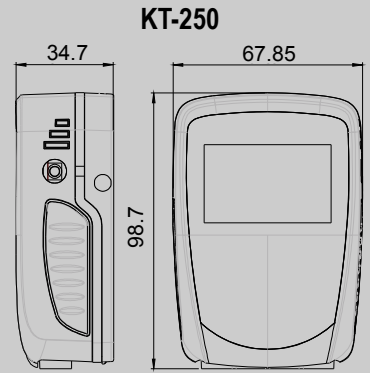
*All accuracies indicated in this document were stated in laboratory conditions and can be guaranteed for measurements carried out in the same conditions, or carried out with calibration compensation.

See technical datasheet "Measuring probe and cable for class 110/210 kistock dataloggers"

EN 12830 norm

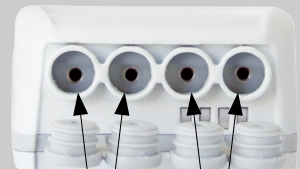
KT 250 models dedicated to food industry, meet with requirements of **EN 12830 norm**. This certification is required for transportation, storage and distribution of refrigerated, frozen and deep-frozen food, and ice cream
Certification is done by an independent laboratory, **COFRAC** accredited.

DIMENSIONS (en mm)



CONNECTIONS

External input (KT-250)

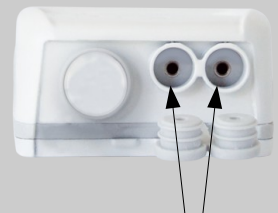


Jack connectors (2.5)

Probe input for :

- NTC temperature
- Current input cable
- Voltage input cable
- Ammeter clamp

External input (KH-250)



Jack connectors (2.5)

Probe input for :

- NTC temperature
- Current input cable
- Voltage input cable
- Ammeter clamp

RECORDER FUNCTION

5가

"Immediate" ()
 "Minimum", "Maximum" "Average"

"Monitoring" (.)
 - setpoint
 - setpoint

"loop " 가 .

dataset : 4가

push button
 Online : PC

dataset : 6가

FULL

"OK": -

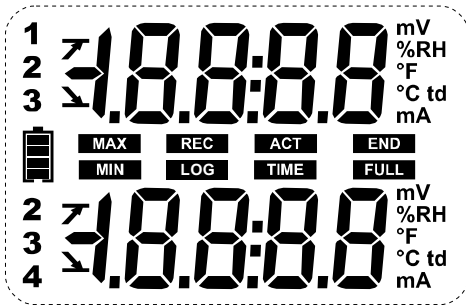
PC CONNECTION

PC connection input

Jack connector (3.5)
 Input for Kistock-PC software



SCREEN



°C...
 °F...
 %RH..... (KH 210)
 td... (KH210)
 V or mV
 A or mA

END DATASET

REC

LOG : : data set

12
23
34

FULL : 80-90%
 : 90-100%
 : 가

ACT

TIME

MIN

MAX



: / action

: 5 (4 +)

bAt LED 가 ,

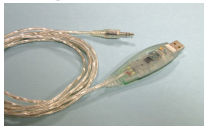
Err LED : -> "select " & "OK" RESET

Err LED : -> "select " & "OK" RESET

SOFTWARE



- Configuration and data processing software &
 Software.....Ref. KILOG-N
 USB interface.....Ref. I-KIC2
 Complete set : soft + 1 interface.....Ref. KIC2 KILOG



- KISTOCK-PC interface K
 PC- KISTOCK() USB
 Ref. I-KIC2

•KILOG CFR software



- KILOG CFR 21CFR-Part 11
 가 가

- Interface.....Ref. I-KIC2
 Complete set : KILOG 1CFR software + 1 interface...Ref. KIC2-CFR-N

Software is compatible with the former range of Kistock.

ACCESSORIES



- KNT
 KNT KISTOCK



- PC
 Ref. KNT 300



- KNT
 Ref. ITP

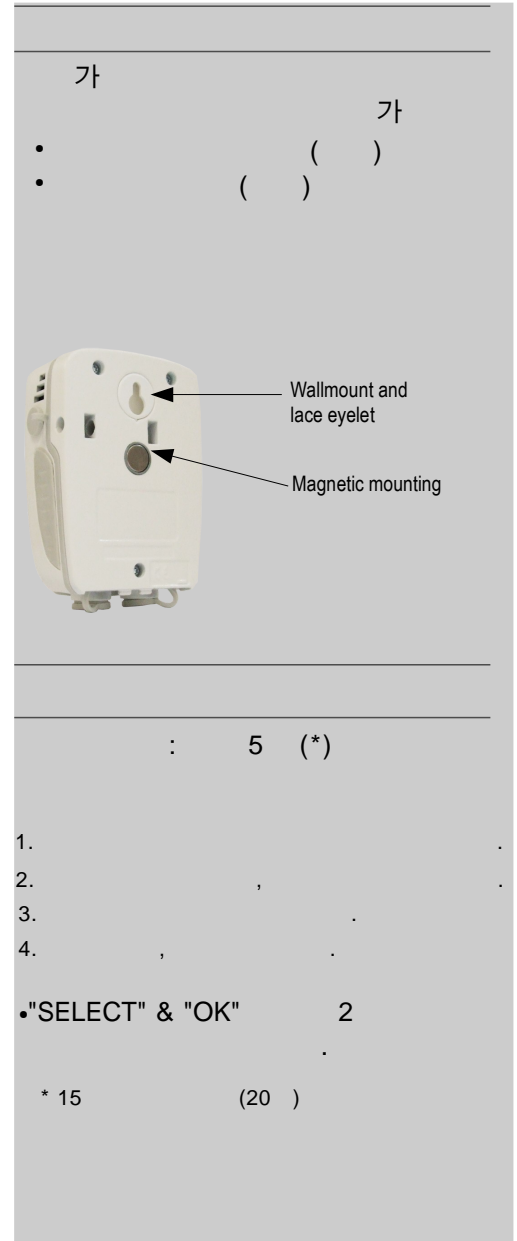


- ()
 Ref. KAV-N



KISTOCK

- NTC
 PVC, 5m, (male & female)
 Ref. KRC 5
- 25m 가
- Lace. Ref. KDC
- Lithium ½ AA battery. Ref. KBL



가	가
• ()	
• ()	
	5 (*)
1.	
2.	
3.	
4.	
•"SELECT" & "OK"	2
* 15	(20)

CALIBRATION (Optional)

KISTOCK dataloggers can be supplied with calibration certificate as an option.

WARRANTY PERIOD

KISTOCK dataloggers have 1-year guarantee for any manufacturing defect (return to our After-Sales Service required).

www.kimo.fr

Distributed by :



EXPORT DEPARTMENT
 Tel : + 33. 1. 60. 06. 69. 25 - Fax : + 33. 1. 60. 06. 69. 29
 e-mail : export@kimo.fr